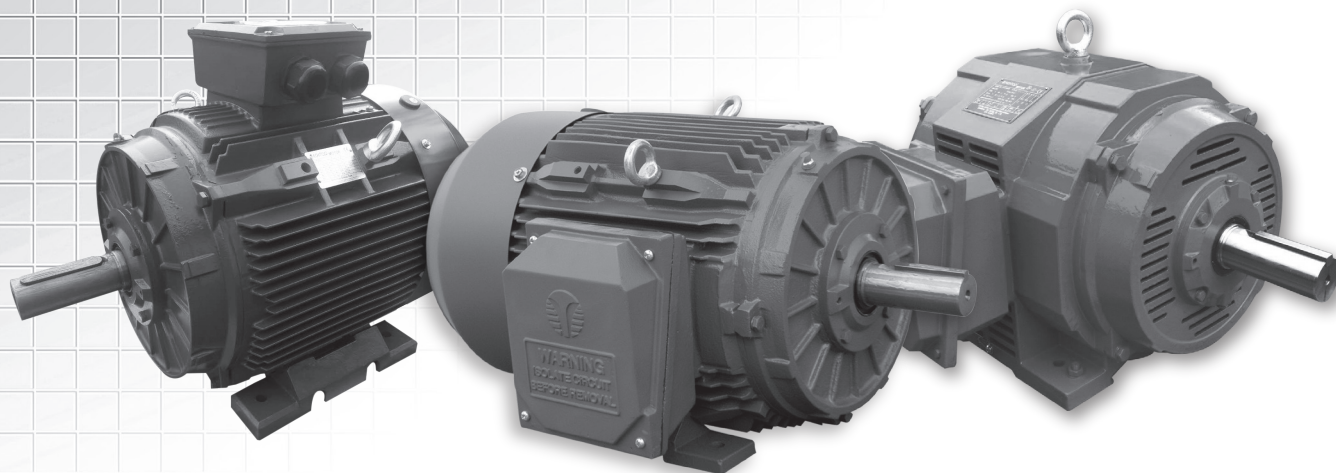


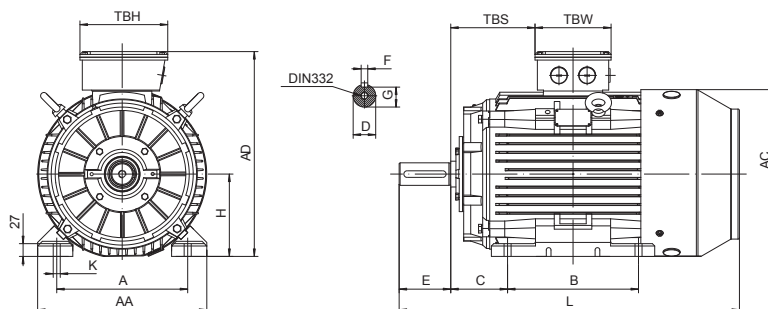
# Fire Pump Motors

## STANDARD FEATURES

- ODP TYPE or TEFC TYPE
- Service Factor: 1.15
- Class 'F' insulation for all frames, Class B rise
- Continuous Duty (S1)
- 50°C ambient temperature



## T Series Motors Dimensional Drawings



IM B3 Figure 1

## Overall & Installation Dimensions

Frame	Foot Mounting				Shaft					General								
	H	A	B	C	D	E	G	K	AA	AD	HD	AC	L	TBS	TBW	TBH		
80	80	125	100	50	φ19	40	6	15.5	φ9	154	214	134	φ158	290	43	114	114	
90S/L	90	140	100/125	56	φ24	50	8	20	φ10	178	231	141	φ176	320/345	49/61.5	114	114	
100L	100	160	140	63	φ28	60	8	24	φ12	203	251	151	φ199	385	76	114	114	
112M	112	190	140	70	φ28	60	8	24	φ12	231	292	180	φ220	405	73	134	134	
132S/M	132	216	140/178	89	φ38	80	10	33	φ12	263	332	200	φ259	467/505	61.5	134	134	
160M/L	160	254	210/254	108	φ42	110	12	37	φ15	316	404	244	φ313	605/650	91	162	187	
180M/L	180	279	241/279	121	φ48	110	14	42.5	φ15	354	445	265	φ360	687/725	160/180	162	187	
200L	200	318	305	133	φ55	110	16	49	φ19	393	500	300	φ399	768.5	192	186	233	
225S	4,6,8	225	356	286	149	φ60	140	18	53	φ19	440	558	333	φ459	810	199	186	233
225M	2	225	356	311	149	φ55	110	16	49	φ19	440	558	333	φ459	805	211.5	186	233
	4,6,8	225	356	311	149	φ60	140	18	53	φ19	440	558	333	φ459	835	211.5	186	233
250M	2	250	406	349	168	φ60	140	18	53	φ24	484	616	366	φ506	915	233	218	260
	4,6,8	250	406	349	168	φ65	140	18	58	φ24	484	616	366	φ506	915	233	218	260
280S/M	2	280	457	368/419	190	φ65	140	18	58	φ24	560	675	395	φ559	984/1035	265/277	218/245	260/280
	4,6,8	280	457	368/419	190	φ75	140	20	67.5	φ24	560	675	395	φ559	984/1035	265/277	218/245	260/280
315S	2	315	508	406	216	φ65	140	18	58	φ28	628	825	510	φ680	1205	200	290	350
	4,6,8	315	508	406	216	φ80	170	22	71	φ28	628	825	510	φ680	1235	200	290	350
315M/L	2	315	508	457/508	216	φ65	140	18	58	φ28	628	825	510	φ680	1355	200	290	350
	4,6,8	315	508	457/508	216	φ80	170	22	71	φ28	628	825	510	φ680	1385	200	290	350
355M/L	2	355	610	560/630	254	φ75	140	20	67.5	φ28	740	1010	655	φ820	1495	140	330	380
	4,6,8	355	610	560/630	254	φ95	170	25	86	φ28	740	1010	655	φ820	1525	140	330	380
	4,6,8	355	610	560/630	254	φ100	210	28	90	φ28	740	1010	655	φ820	1565	140	330	380



# Serie Fire Pump Motors' Main Performance Parameters (IEC)

Serial NO.	Model NO.	Volts	Output (kW)	Output (HP)	Hz	Locked current A(standard) 400V	Locked torque multiple (standard)	Maximum torque multiple (standard)	Minimum torque multiple (standard)	INS class	RPM	The test environment temperature
1	T 801-2	380-415V	0.75	1.0	50	19.0	175	250	120	F	2848	50°C
2	T 802-2	380-415V	1.1	1.5	50	25.7	175	250	120	F	2846	50°C
3	T 803-2	380-415V	1.5	2.0	50	32.3	170	240	120	F	2852	50°C
4	T 90S-2	380-415V	1.5	2.0	50	32.3	170	240	120	F	2852	50°C
5	T 90L1-2	380-415V	2.2	3.0	50	40.9	160	230	110	F	2845	50°C
6	T 90L2-2	380-415V	3	4.0	50	49.4	155	220	105	F	2851	50°C
7	T 100L-2	380-415V	3	4.0	50	49.4	155	220	105	F	2851	50°C
8	T 100L2-2	380-415V	4	5.5	50	61.8	145	215	105	F	2910	50°C
9	T 112M-2	380-415V	4	5.5	50	61.8	145	215	105	F	2910	50°C
10	T 112L-2	380-415V	5.5	7.5	50	79.8	140	200	100	F	2905	50°C
11	T 132S1-2	380-415V	5.5	7.5	50	79.8	140	200	100	F	2905	50°C
12	T 132S2-2	380-415V	7.5	10.0	50	101.7	135	200	100	F	2910	50°C
13	T 132M1-2	380-415V	9.2	12.0	50	118.8	130	200	100	F	2910	50°C
14	T 132M2-2	380-415V	11	15.0	50	146.3	130	200	100	F	2920	50°C
15	T 160M1-2	380-415V	11	15.0	50	146.3	130	200	100	F	2920	50°C
16	T 160M2-2	380-415V	15	20.0	50	184.3	130	200	100	F	2918	50°C
17	T 160L-2	380-415V	18.5	25.0	50	230.9	130	200	100	F	2922	50°C
18	T 180M-2	380-415V	22	30.0	50	274.6	130	200	100	F	2930	50°C
19	T 200L1-2	380-415V	30	40.0	50	367.7	125	200	100	F	2925	50°C
20	T 200L2-2	380-415V	37	50.0	50	457.9	120	200	100	F	2930	50°C
21	T 225M-2	380-415V	45	60.0	50	549.1	120	200	100	F	2930	50°C
22	T 250M-2	380-415V	55	75.0	50	685.9	105	200	95	F	2940	50°C
23	T 280S-2	380-415V	75	100.0	50	916.8	105	200	95	F	2940	50°C
24	T 280M-2	380-415V	90	125.0	50	1146.7	100	200	90	F	2940	50°C
25	T 315S-2	380-415V	110	150.0	50	1369.0	100	200	90	F	2940	50°C
26	T 315M-2	380-415V	132	175.0	50	1599.8	100	200	90	F	2940	50°C
27	T 315L1 -2	380-415V	160	215.0	50	1900.0	90	175	65	F	2945	50°C
28	T 315L2 -2	380-415V	200	270.0	50	2636.3	70	175	65	F	2945	50°C
29	T 355M-2	380-415V	250	330.0	50	3125.5	70	175	65	F	2945	50°C
30	T 355L-2	380-415V	315	420.0	50	4075.5	70	175	65	F	2945	50°C
31	T 802-4	380-415V	0.75	1.0	50	19.0	275	300	190	F	1420	50°C
32	T 803-4	380-415V	1.1	1.5	50	25.7	250	280	175	F	1425	50°C
33	T 90S-4	380-415V	1.1	1.5	50	25.7	250	280	175	F	1425	50°C
34	T 90L-4	380-415V	1.5	2.0	50	32.3	235	270	165	F	1420	50°C
35	T 90L2-4	380-415V	2.2	3.0	50	40.9	215	250	150	F	1430	50°C
36	T 100L1-4	380-415V	2.2	3.0	50	40.9	215	250	150	F	1430	50°C
37	T 100L2-4	380-415V	3	4.0	50	49.4	200	230	140	F	1430	50°C
38	T 100L3-4	380-415V	4	5.5	50	61.8	180	225	130	F	1435	50°C
39	T 112M-4	380-415V	4	5.5	50	61.8	180	225	130	F	1435	50°C
40	T 112L-4	380-415V	5.5	7.5	50	79.8	175	215	120	F	1430	50°C
41	T 132S-4	380-415V	5.5	7.5	50	79.8	175	215	120	F	1430	50°C
42	T 132M-4	380-415V	7.5	10.0	50	101.7	165	200	115	F	1430	50°C
43	T 132L1-4	380-415V	9.2	12.0	50	118.8	160	200	115	F	1430	50°C
44	T 132L2-4	380-415V	11	15.0	50	146.3	160	200	110	F	1440	50°C
45	T 160M-4	380-415V	11	15.0	50	146.3	160	200	110	F	1440	50°C
46	T 160L-4	380-415V	15	20.0	50	184.3	150	200	105	F	1445	50°C
47	T 180M-4	380-415V	18.5	25.0	50	230.9	150	200	105	F	1445	50°C
48	T 180L-4	380-415V	22	30.0	50	274.6	150	200	105	F	1460	50°C
49	T 200L-4	380-415V	30	40.0	50	367.7	140	200	100	F	1460	50°C
50	T 225S-4	380-415V	37	50.0	50	457.9	140	200	100	F	1470	50°C

IEC MOTOR

FIRE PUMP MOTOR

GOST MOTOR

VHS MOTOR

H.T. MOTOR

S.S. MOTOR

NEMA MOTOR

EC MOTOR

# T Serie Fire Pump Motors' Main Performance Parameters (IEC)

Serial NO.	Model NO.	Volts	Output (kW)	Output (HP)	Hz	Locked current A(standard) 400V	Locked torque multiple (standard)	Maximum torque multiple (standard)	Minimum torque multiple (standard)	INS class	RPM	The test environment temperature
51	T 225M-4	380-415V	45	60.0	50	549.1	140	200	100	F	1480	50°C
52	T 250M-4	380-415V	55	75.0	50	685.9	140	200	100	F	1480	50°C
53	T 280S-4	380-415V	75	100.0	50	916.8	125	200	100	F	1480	50°C
54	T 280M-4	380-415V	90	125.0	50	1146.7	110	200	100	F	1480	50°C
55	T 315S-4	380-415V	110	150.0	50	1369.0	110	200	100	F	1480	50°C
56	T 315M-4	380-415V	132	175.0	50	1599.8	100	200	90	F	1480	50°C
57	T 315L1-4	380-415V	160	215.0	50	1900.0	90	175	75	F	1480	50°C
58	T 315L2-4	380-415V	200	270.0	50	2636.3	80	175	75	F	1480	50°C
59	T 355M1-4	380-415V	220	300.0	50	2874.7	80	175	75	F	1480	50°C
60	T 355M2-4	380-415V	250	330.0	50	3125.5	80	175	75	F	1480	50°C
61	T 355L1-4	380-415V	280	375.0	50	3604.3	80	175	75	F	1480	50°C
62	T 355L2-4	380-415V	315	420.0	50	4075.5	80	175	75	F	1480	50°C
63	T 355L3-4	380-415V	355	475.0	50	4563.8	80	175	75	F	1480	50°C
64	T 803-6	380-415V	0.75	1.0	50	19.0	170	265	120	F	935	50°C
65	T 90S-6	380-415V	0.75	1.0	50	19.0	170	265	120	F	935	50°C
66	T 90L-6	380-415V	1.1	1.5	50	25.7	165	250	115	F	935	50°C
67	T 100L-6	380-415V	1.5	2.0	50	32.3	160	240	110	F	940	50°C
68	T 112M-6	380-415V	2.2	3.0	50	40.9	155	230	110	F	940	50°C
69	T 112M1-6	380-415V	3	4.0	50	49.4	150	220	105	F	940	50°C
70	T 112M2-6	380-415V	4	5.5	50	61.8	150	215	105	F	940	50°C
71	T 132S-6	380-415V	3	4.0	50	49.4	150	220	105	F	940	50°C
72	T 132M1-6	380-415V	4	5.5	50	61.8	150	215	105	F	945	50°C
73	T 132M2-6	380-415V	5.5	7.5	50	79.8	150	205	105	F	945	50°C
74	T 132M3-6	380-415V	7.5	10.0	50	101.7	150	200	105	F	945	50°C
75	T 160M-6	380-415V	7.5	10.0	50	101.7	150	200	105	F	955	50°C
76	T 160L-6	380-415V	11	15.0	50	146.3	140	200	100	F	960	50°C
77	T 180L-6	380-415V	15	20.0	50	184.3	135	200	100	F	960	50°C
78	T 200L1-6	380-415V	18.5	25.0	50	230.9	135	200	100	F	965	50°C
79	T 200L2-6	380-415V	22	30.0	50	274.6	135	200	100	F	965	50°C
80	T 225M-6	380-415V	30	40.0	50	367.7	135	200	100	F	975	50°C
81	T 250M-6	380-415V	37	50.0	50	457.9	135	200	100	F	975	50°C
82	T 280S-6	380-415V	45	60.0	50	549.1	135	200	100	F	980	50°C
83	T 280M-6	380-415V	55	75.0	50	685.9	135	200	100	F	980	50°C
84	T 315S-6	380-415V	75	100.0	50	916.8	125	200	100	F	980	50°C
85	T 315M-6	380-415V	90	125.0	50	1146.7	125	200	100	F	980	50°C
86	T 315L1-6	380-415V	110	150.0	50	1369.0	120	200	100	F	980	50°C
87	T 315L2-6	380-415V	132	175.0	50	1599.8	120	200	100	F	980	50°C
88	T 355M1-6	380-415V	160	215.0	50	1900.0	100	175	90	F	980	50°C
89	T 355M2-6	380-415V	200	270.0	50	2636.3	100	175	90	F	980	50°C
90	T 355L1-6	380-415V	220	300.0	50	2874.7	100	175	90	F	980	50°C
91	T 355L2-6	380-415V	250	330.0	50	3125.5	100	175	90	F	980	50°C

# F -TDC Series NEMA Motor

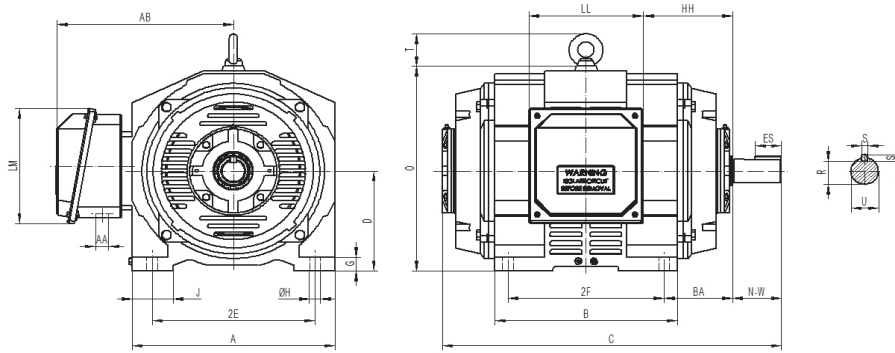


Figure 1 Foot Mounted

## Installation Dimensions

NEMA Frames	MOUNTING				A	B	C	D	G	J	O	T
	2E	2F	H	BA								
254T	10.00	8.25	0.53	4.25	12.44	12.00	22.46	6.25	0.78	2.36	13.06	2.047
256T		10.00										
284T	11.00	9.50	0.53	4.75	14.17	13.03	24.85	7.00	0.90	3.15	14.87	2.441
286T		11.00										
284TS		9.50										
286TS		11.00										
324T	12.50	10.50	0.66	5.25	15.59	14.06	27.55	8.00	1.11	3.15	16.39	2.441
326T		12.00										
324TS		10.50										
326TS		12.00										
364T	14.00	11.25	0.66	5.88	18.03	14.92	29.42	9.00	1.26	3.54	19.00	2.835
365T		12.25										
364TS		11.25										
365TS		12.25										
404T	16.00	12.25	0.81	6.62	19.92	16.97	33.86	10.00	1.34	3.74	20.95	3.465
405T		13.75										
404TS		12.25										
405TS		13.75										
444T	18.00	14.50	0.81	7.50	22.05	20.08	39.47	11.00	1.43	4.33	23.09	3.465
445T		16.50										
444TS		14.50										
445TS		16.50										
447T	18.00	20.00	0.81	7.50	22.05	28.58	47.97	11.00	1.43	4.33	23.09	4.134
449T		25.00										
447TS		20.00										
449TS		25.00										

NEMA Frames	KEYWAY			SHAFT		TERAINAL BOX					BEARINGS	
	S	R	ES	N-W	U	AB	HH	LL	LM	AA	D.E	N.D.E
254T	0.375	1.416	2.91	4.0	1.625	10.83	5.77	6.97	7.31	1-1/4	6309 C3	
256T												
284T	0.5	1.591	3.28	4.62	1.875	11.62	6.77	6.97	7.31	1-1/2	6311 C3	
286T												
284TS	0.375	1.416	1.91	3.25	1.625	13.62	6.86	8.78	9.23	2	6312 C3	
286TS												
324T	0.5	1.845	3.91	5.25	2.125	15.23	6.83	10.36	9.23	3	6313 C3	
326T												
324TS	0.5	1.591	2.03	3.75	1.875	16.72	8.28	10.44	11.56	3	6316C3	6314C3
326TS											6314C3	
364T	0.625	2.021	4.28	5.88	2.375	18.31	9.39	12.72	14.58	3	6319C3	6316C3
365T											6316C3	
364TS	0.5	1.591	2.03	3.75	1.875	18.31	3.9	12.72	14.58	3	6319C3	6316C3
365TS											6316C3	
404T	0.75	2.45	5.65	7.25	2.875	18.31	9.39	12.72	14.58	3	6319C3	6316C3
405T											6316C3	
404TS	0.5	1.845	2.78	4.25	2.125	18.31	3.9	12.72	14.58	3	6319C3	6316C3
405TS											6316C3	
444T	0.875	2.88	6.91	8.5	3.375	18.31	9.39	12.72	14.58	3	6319C3	6316C3
445T											6316C3	
444TS	0.625	2.021	3.03	4.75	2.375	18.31	3.9	12.72	14.58	3	6319C3	6316C3
445TS											6316C3	
447T	0.875	2.88	6.91	8.5	3.375	18.31	9.39	12.72	14.58	3	6319C3	6316C3
449T											6316C3	
447TS	0.625	2.021	3.03	4.75	2.375	18.31	3.9	12.72	14.58	3	6319C3	6316C3
449TS											6316C3	

\*Dimensions in inches.

# F -TDC Serie Fire Pump Motor Main Performance Parameters(NEMA 50HZ)

NO.	Model	Output (HP)	Hz	Current ( A )			EFF (%)	Power factor (COSΦ)	RPM (r/min)	Locked current(A)		Locked rotor torque %	Breakdown torque %	Pull-Up Torque %	Design	IC	KVA Code	IP	Encl	S.F	AMB. (°C)	Ins Class	W.T (lbs)
				380V	400V	415V				380V	415V												
1	F-TDC254T15U2B	15	50	22.4	21.3	20.5	87.6	0.87	2925	154	141	130	200	100	B	01	H	23	ODP	1.15	50	F	236
2	F-TDC256T20U2B	20	50	29.5	28.0	27.0	88.7	0.87	2925	194	177	130	200	100	B	01	H	23	ODP	1.15	50	F	251
3	F-TDC284TS25U2B	25	50	36.7	34.9	33.6	89.3	0.87	2935	243	222	130	200	100	B	01	H	23	ODP	1.15	50	F	315
4	F-TDC286TS30U2B	30	50	43.2	41.1	39.6	89.9	0.88	2935	289	264	130	200	100	B	01	H	23	ODP	1.15	50	F	344
5	F-TDC286TS40U2B	40	50	57.1	54.3	52.3	90.7	0.88	2935	387	354	125	200	100	B	01	H	23	ODP	1.15	50	F	366
6	F-TDC324TS40U2B	40	50	56.5	53.6	51.7	90.7	0.89	2937	387	354	125	200	100	B	01	H	23	ODP	1.15	50	F	429
7	F-TDC324TS50U2B	50	50	70.2	66.7	64.3	91.2	0.89	2935	482	441	120	200	100	B	01	H	23	ODP	1.15	50	F	460
8	F-TDC326TS50U2B	50	50	70.2	66.7	64.3	91.2	0.89	2935	482	441	120	200	100	B	01	H	23	ODP	1.15	50	F	460
9	F-TDC326TS60U2B	60	50	84.7	80.5	77.6	91.7	0.88	2940	578	529	120	200	100	B	01	H	23	ODP	1.15	50	F	509
10	F-TDC364TS60U2B	60	50	83.8	79.6	76.7	91.7	0.89	2942	578	529	120	200	100	B	01	H	23	ODP	1.15	50	F	595
11	F-TDC364TS75U2B	75	50	104.3	99.1	95.5	92.1	0.89	2940	722	661	105	200	95	B	01	H	23	ODP	1.15	50	F	658
12	F-TDC365TS75U2B	75	50	104.3	99.1	95.5	92.1	0.89	2940	722	661	105	200	95	B	01	H	23	ODP	1.15	50	F	658
13	F-TDC365TS100U2B	100	50	139.7	132.7	127.9	92.7	0.88	2940	965	883	105	200	95	B	01	H	23	ODP	1.15	50	F	716
14	F-TDC405TS100U2B	100	50	138.2	131.2	126.5	92.7	0.89	2942	965	883	105	200	95	B	01	H	23	ODP	1.15	50	F	819
15	F-TDC404TS125U2B	125	50	176.0	167.2	161.2	93	0.87	2943	1207	1105	100	200	90	B	01	H	23	ODP	1.15	50	F	934
16	F-TDC444TS125U2B	125	50	174.1	165.4	159.4	93	0.88	2945	1207	1105	100	200	90	B	01	H	23	ODP	1.15	50	F	1196
17	F-TDC405TS150U2B	150	50	205.9	195.6	188.5	93.3	0.89	2944	1441	1319	100	200	90	B	01	H	23	ODP	1.15	50	F	993
18	F-TDC445TS150U2B	150	50	203.6	193.4	186.4	93.3	0.90	2950	1441	1319	100	200	90	B	01	H	23	ODP	1.15	50	F	1277
19	F-TDC444TS200U2B	200	50	289.3	274.8	264.9	93.8	0.84	2955	1927	1764	70	175	65	B	01	H	23	ODP	1.15	50	F	1354
20	F-TDC447TS200U2B	200	50	289.3	274.8	264.9	93.8	0.84	2955	1927	1764	70	175	65	B	01	H	23	ODP	1.15	50	F	1541
21	F-TDC449TS250U2B	250	50	336.7	319.9	308.3	94	0.90	2960	2534	2320	70	175	65	B	01	H	23	ODP	1.15	50	F	1718
22	F-TDC447TS300U2B	300	50	399.6	379.6	365.9	94	0.91	2960	3026	2770	70	175	65	B	01	H	23	ODP	1.15	50	F	1894
23	F-TDC449TS300U2B	300	50	399.6	379.6	365.9	94	0.91	2970	3026	2770	70	175	65	B	01	H	23	ODP	1.15	50	F	1894
24	F-TDC447TS350U2B	350	50	466.2	442.9	426.9	94	0.91	2965	3542	3243	70	175	65	B	01	H	23	ODP	1.15	50	F	2114
25	F-TDC449TS350U2B	350	50	466.2	442.9	426.9	94	0.91	2970	3542	3243	70	175	65	B	01	H	23	ODP	1.15	50	F	2114
26	F-TDC449TS400U2B	400	50	532.8	506.2	487.9	94	0.91	2970	4046	3704	70	175	65	B	01	H	23	ODP	1.15	50	F	2301
27	F-TDC449TS450U2B	400	50	596.0	566.2	546.0	94	0.91	2985	4539	4156	70	175	65	B	01	H	23	ODP	1.15	50	F	2532
28	F-TDC254T15U4B	15	50	22.4	21.3	20.5	87.6	0.87	1440	154	141	160	200	110	B	01	H	23	ODP	1.15	50	F	247
29	F-TDC254T20U4B	20	50	29.5	28.0	27.0	88.7	0.87	1445	194	177	150	200	105	B	01	H	23	ODP	1.15	50	F	275
30	F-TDC284T25U4B	25	50	36.7	34.9	33.6	89.3	0.87	1450	243	222	150	200	105	B	01	H	23	ODP	1.15	50	F	324
31	F-TDC286T30U4B	30	50	43.7	41.5	40.0	89.9	0.87	1460	289	264	150	200	105	B	01	H	23	ODP	1.15	50	F	348
32	F-TDC324T40U4B	40	50	57.8	54.9	52.9	90.7	0.87	1460	387	354	140	200	100	B	01	H	23	ODP	1.15	50	F	484
33	F-TDC326T50U4B	50	50	71.9	68.3	65.8	91.2	0.87	1470	482	441	140	200	100	B	01	H	23	ODP	1.15	50	F	531
34	F-TDC364T60U4B	60	50	85.7	81.4	78.5	91.7	0.87	1480	578	529	140	200	100	B	01	H	23	ODP	1.15	50	F	654
35	F-TDC365T75U4B	75	50	105.5	100.2	96.6	92.1	0.88	1480	722	661	140	200	100	B	01	H	23	ODP	1.15	50	F	711
36	F-TDC405T100U4B	100	50	139.7	132.7	127.9	92.7	0.88	1480	965	883	125	200	100	B	01	H	23	ODP	1.15	50	F	927
37	F-TDC405T125U4B	125	50	174.1	165.4	159.4	93	0.88	1480	1207	1105	110	200	100	B	01	H	23	ODP	1.15	50	F	1070
38	F-TDC444T125U4B	125	50	174.1	165.4	159.4	93	0.88	1480	1207	1105	110	200	100	B	01	H	23	ODP	1.15	50	F	1271
39	F-TDC444T150U4B	150	50	208.2	197.7	190.6	93.3	0.88	1480	1441	1319	110	200	100	B	01	H	23	ODP	1.15	50	F	1389
40	F-TDC445T150U4B	150	50	208.2	197.7	190.6	93.3	0.88	1480	1441	1319	110	200	100	B	01	H	23	ODP	1.15	50	F	1389
41	F-TDC445T200U4B	200	50	273.0	259.4	250.0	93.8	0.89	1480	1927	1764	100	200	90	B	01	H	23	ODP	1.15	50	F	1568
42	F-TDC447T200U4B	200	50	273.0	259.4	250.0	93.8	0.89	1480	1917	1764	100	200	90	B	01	H	23	ODP	1.15	50	F	1731
43	F-TDC447T250U4B	250	50	340.5	323.5	311.8	94	0.89	1480	2534	2320	80	175	75	B	01	H	23	ODP	1.15	50	F	1938
44	F-TDC449T250U4B	250	50	340.5	323.5	311.8	94	0.89	1480	2534	2320	80	175	75	B	01	H	23	ODP	1.15	50	F	1938
45	F-TDC449T300U4B	300	50	408.7	388.2	374.2	94	0.89	1480	3026	2770	80	175	75	B	01	H	23	ODP	1.15	50	F	2176
46	F-TDC449T350U4B	350	50	476.7	452.9	436.5	94	0.89	1480	3542	3243	80	175	75	B	01	H	23	ODP	1.15	50	F	2325
47	F-TDC449T400U4B	400	50	545.0	517.8	500.0	94	0.88	1485	4046	3704	80	175	75	B	01	H	23	ODP	1.15	50	F	2473



# F-TDC Serie Fire Pump Motor Main Performance Parameters(NEMA 60HZ)

NO.	Model	Output (HP)	Hz	Current ( A )					EFF %	Power factor (COS Φ)	RPM (r/min)	Locked current(A)		Locked rotor torque %	Breakdown torque %	Pull-Up Torque %	Design	IC	KVA Code	IP	Encl	S.F	AMB. (°C)	INS class	W.T (lbs)
				230V	460V	380V	400V	575V				230V	460V												
				1	F-TDC254T15U2B	15	60	35.7				17.8	21.6												
2	F-TDC256T20U2B	20	60	47.0	23.5	28.5	27.0	18.8	88.5	0.9	3504	290	145	130	200	100	B	01	H	23	ODP	1.15	50	F	251
3	F-TDC284T25U2B	25	60	58.1	29.1	35.2	33.4	23.2	89.5	0.9	3516	365	182.5	130	200	100	B	01	H	23	ODP	1.15	50	F	315
4	F-TDC286T30U2B	30	60	69.7	34.9	42.2	40.1	27.9	89.5	0.9	3516	435	217.5	130	200	100	B	01	H	23	ODP	1.15	50	F	348
5	F-TDC286T34U2B	40	60	92.3	46.1	55.8	53.1	36.9	90.2	0.9	3516	580	290	125	200	100	B	01	H	23	ODP	1.15	50	F	352
6	F-TDC324T34U2B	40	60	92.3	46.1	55.8	53.1	36.9	90.2	0.9	3516	580	290	125	200	100	B	01	H	23	ODP	1.15	50	F	429
7	F-TDC324T50U2B	50	60	113.7	56.8	68.8	65.4	45.5	91.5	0.9	3516	725	362.5	120	200	100	B	01	H	23	ODP	1.15	50	F	478
8	F-TDC326T50U2B	50	60	113.7	56.8	68.8	65.4	45.5	91.5	0.9	3516	725	362.5	120	200	100	B	01	H	23	ODP	1.15	50	F	478
9	F-TDC326T60U2B	60	60	136.1	68.1	82.4	78.3	54.5	91.7	0.9	3516	870	435	120	200	100	B	01	H	23	ODP	1.15	50	F	509
10	F-TDC364T60U2B	60	60	136.1	68.1	82.4	78.3	54.5	91.7	0.9	3516	870	435	120	200	100	B	01	H	23	ODP	1.15	50	F	595
11	F-TDC364T75U2B	75	60	168.9	84.4	102.2	97.1	67.6	92.4	0.9	3516	1085	542.5	105	200	95	B	01	H	23	ODP	1.15	50	F	639
12	F-TDC365T75U2B	75	60	168.9	84.4	102.2	97.1	67.6	92.4	0.9	3516	1085	542.5	105	200	95	B	01	H	23	ODP	1.15	50	F	639
13	F-TDC365T100U2B	100	60	223.7	111.9	135.4	128.6	89.5	93	0.9	3528	1450	725	105	200	95	B	01	H	23	ODP	1.15	50	F	687
14	F-TDC405T100U2B	100	60	223.7	111.9	135.4	128.6	89.5	93	0.9	3545	1450	725	105	200	95	B	01	H	23	ODP	1.15	50	F	837
15	F-TDC404T125U2B	125	60		139.8	169.3	160.8	111.9	93	0.9	3540	1815	907.5	100	200	90	B	01	H	23	ODP	1.15	50	F	885
16	F-TDC405T150U2B	150	60		165.9	200.9	190.8	132.8	93	0.91	3545	2170	1085	100	200	90	B	01	H	23	ODP	1.15	50	F	949
17	F-TDC444T125U2B	125	60		138.3	167.4	159.0	110.6	93	0.91	3540	1815	907.5	100	200	90	B	01	H	23	ODP	1.15	50	F	1174
18	F-TDC444T200U2B	200	60		218.7	264.7	251.5	174.9	94.1	0.91	3570	2900	1450	100	200	90	B	01	H	23	ODP	1.15	50	F	1310
19	F-TDC445T150U2B	150	60		165.9	200.9	190.8	132.8	93	0.91	3545	2170	1085	100	200	90	B	01	H	23	ODP	1.15	50	F	1233
20	F-TDC447T200U2B	200	60		218.7	264.7	251.5	174.9	94.1	0.91	3570	2900	1450	100	200	90	B	01	H	23	ODP	1.15	50	F	1497
21	F-TDC447T300U2B	300	60		328.0	397.1	377.2	262.4	94.1	0.91	3570	4400	2200	70	175	65	B	01	H	23	ODP	1.15	50	F	1850
22	F-TDC447T350U2B	350	60		382.7	463.3	440.1	306.2	94.1	0.91	3570	5100	2550	70	175	65	B	01	H	23	ODP	1.15	50	F	2070
23	F-TDC449T250U2B	250	60		273.3	330.9	314.4	218.7	94.1	0.91	3570	3650	1825	70	175	65	B	01	H	23	ODP	1.15	50	F	1387
24	F-TDC449T300U2B	300	60		328.0	397.1	377.2	262.4	94.1	0.91	3570	4400	2200	70	175	65	B	01	H	23	ODP	1.15	50	F	1850
25	F-TDC449T350U2B	350	60		382.7	463.3	440.1	306.2	94.1	0.91	3570	5100	2550	70	175	65	B	01	H	23	ODP	1.15	50	F	2070
26	F-TDC449T400U2B	400	60		437.4	529.4	503.0	349.9	94.1	0.91	3570	5800	2900	70	175	65	B	01	H	23	ODP	1.15	50	F	2257
27	F-TDC449T450U2B	450	60		485.0	591.0	561.0	388.0	94.1	0.91	3585	6500	3250	70	175	65	B	01	H	23	ODP	1.15	50	F	2466
28	F-TDC449T500U2B	500	60		542.0	657.0	624.0	433.0	94.1	0.91	3585	7250	3625	70	175	65	B	01	H	23	ODP	1.15	50	F	2642
29	F-TDC 254T15U4B	15	60	35.7	17.8	21.6	20.5	14.3	88.5	0.89	1728	232	116	160	200	105	B	01	H	23	ODP	1.15	50	F	247
30	F-TDC 256T20U4B	20	60	47.0	23.5	28.5	27.0	18.8	89.5	0.89	1734	290	145	150	200	105	B	01	H	23	ODP	1.15	50	F	275
31	F-TDC 284T25U4B	25	60	58.1	29.1	35.2	33.4	23.2	90.5	0.89	1740	365	182.5	150	200	105	B	01	H	23	ODP	1.15	50	F	324
32	F-TDC 286T30U4B	30	60	69.4	34.7	42.0	39.9	27.7	91	0.89	1752	435	217.5	150	200	100	B	01	H	23	ODP	1.15	50	F	348
33	F-TDC 324T40U4B	40	60	91.8	45.9	55.5	52.8	36.7	91.7	0.89	1752	580	290	140	200	100	B	01	H	23	ODP	1.15	50	F	484
34	F-TDC 326T50U4B	50	60	113.9	56.9	68.9	65.5	45.5	92.4	0.89	1764	725	362.5	140	200	100	B	01	H	23	ODP	1.15	50	F	531
35	F-TDC364T60U4B	60	60	135.7	67.9	82.2	78.1	54.3	93	0.89	1776	870	435	140	200	100	B	01	H	23	ODP	1.15	50	F	623
36	F-TDC365T75U4B	75	60	169.7	84.8	102.7	97.6	67.9	93	0.89	1776	1085	542.5	140	200	100	B	01	H	23	ODP	1.15	50	F	683
37	F-TDC405T100U4B	100	60	225.8	112.9	136.6	129.8	90.3	93.2	0.89	1776	1450	725	125	200	100	B	01	H	23	ODP	1.15	50	F	927
38	F-TDC405T125U4B	125	60		139.5	168.9	160.5	111.6	93.2	0.9	1776	1815	907.5	110	200	100	B	01	H	23	ODP	1.15	50	F	1024
39	F-TDC444T125U4B	125	60		139.5	168.9	160.5	111.6	93.2	0.9	1776	1815	907.5	110	200	100	B	01	H	23	ODP	1.15	50	F	1229
40	F-TDC444T150U4B	150	60		166.9	202.0	191.9	133.5	93.5	0.9	1776	2170	1085	110	200	100	B	01	H	23	ODP	1.15	50	F	1332
41	F-TDC445T150U4B	150	60		166.9	202.0	191.9	133.5	93.5	0.9	1776	2170	1085	110	200	100	B	01	H	23	ODP	1.15	50	F	1332
42	F-TDC445T200U4B	200	60		217.8	263.6	250.4	174.2	94.5	0.91	1780	2900	1450	100	200	90	B	01	H	23	ODP	1.15	50	F	1480
43	F-TDC447T200U4B	200	60		217.8	263.6	250.4	174.2	94.5	0.91	1780	2900	1450	100	200	90	B	01	H	23	ODP	1.15	50	F	1640
44	F-TDC447T250U4B	250	60		272.2	329.5	313.0	217.8	94.5	0.91	1780	3650	1825	80	175	75	B	01	H	23	ODP	1.15	50	F	1834
45	F-TDC449T250U4B	250	60		272.2	329.5	313.0	217.8	94.5	0.91	1780	3650	1825	80	175	75	B	01	H	23	ODP	1.15	50	F	1834
46	F-TDC449T300U4B	300	60		326.6	395.4	375.6	261.3	94.5	0.91	1780	4400	2200	80	175	75	B	01	H	23	ODP	1.15	50	F	2057
47	F-TDC449T350U4B	350	60		381.1	461.3	438.2	304.9	94.5	0.91	1780	5100	2550	80	175	75	B	01	H	23	ODP	1.15	50	F	2176
48	F-TDC449T400U4B	300	60		434.0	525.0	499.0	347.0	94.5	0.91	1785	5800	2900	80	175	75	B	01	H	23	ODP	1.15	50	F	2325
49	F-TDC449T450U4B	350	60		488.0	591.0	561.0	390.0	94.5	0.91	1785	6500	3250	80	175	75	B	01	H	23	ODP	1.15	50	F	2473

IEC MOTOR

FIRE PUMP MOTOR

GOST MOTOR

VHS MOTOR

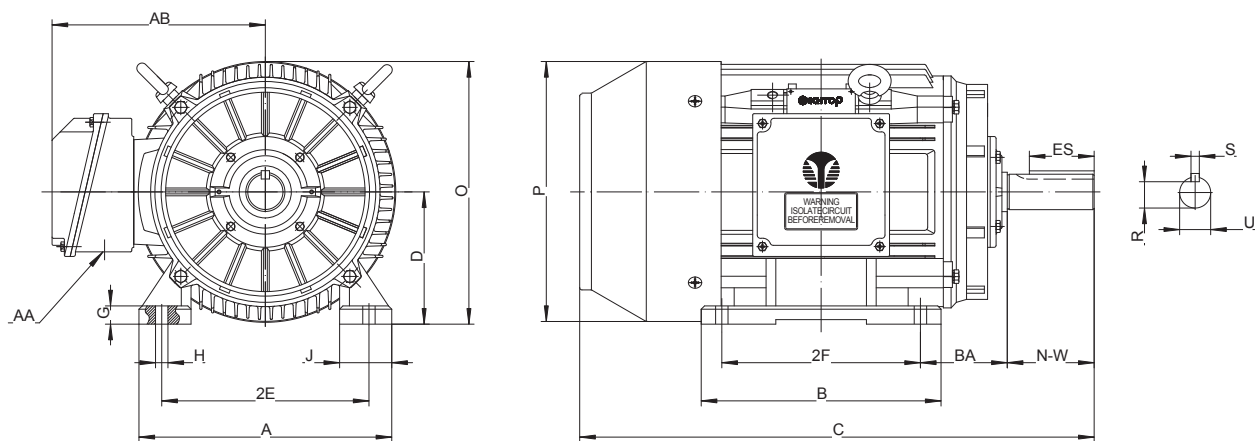
H.T. MOTOR

S.S. MOTOR

NEMA MOTOR

EC MOTOR

# F -TXC Series NEMA Motor



Foot Mounted Figure 1

## Overall & Installation Dimensions

Frame	Foot Mounting								Shaft					General										
	A	B	G	J	2E	2F	H	BA	N-W	U	S	R	ES	C	D	O	AA	AB	P					
143T	7	5.12	0.55	1.46	5.5	4	0.34	2.25	2.25	0.875	0.188	0.771	1.41	13	3.5	7.01	3/4	5.9	6.93					
145T		6.1				5								14										
182T	9	6.1	0.675	1.77	7.5	4.5	0.41	2.75	2.75	1.125	0.25	0.986	1.78	15.5	4.5	8.83	3/4	7.17	8.66					
184T		7.09				5.5								16.5										
213T	10.27	7.48	0.71	1.81	8.5	5.5	0.41	3.5	3.38	1.375	0.312	1.201	2.42	18.78	5.25	10.35	1	7.95	10.2					
215T		8.98				7								20.28										
254T	12.36	10.35	0.63	2.36	10	8.25	0.53	4.25	4	1.625	0.375	1.416	2.91	24	6.25	12.44	1-1/4	10.1	12.36					
256T		12.05				10								25.73										
284T	13.8	12.2	0.985	2.95	11	9.5	0.53	4.75	4.62	1.875	0.5	1.591	3.28	27.37	7	13.9	1-1/2	10.83	13.78					
286T		13.7				11								28.87										
284TS	13.8	12.2	0.985	2.95	11	9.5	0.53	4.75	3.25	1.625	0.375	1.416	1.91	26	7	13.9	1-1/2	10.83	13.78					
286TS		13.7				11								27.5										
324T	15.4	13	1.12	3.15	12.5	10.5	0.66	5.25	5.25	2.125	0.5	1.845	3.91	29.8	8	15.9	2	13	15.71					
326T		14.5				12								31.3										
324TS	15.4	13	1.12	3.15	12.5	10.5	0.66	5.25	3.75	1.875	0.5	1.591	2.03	28.3	8	15.9	2	13	15.71					
326TS		14.5				12								29.8										
364T	17.17	14.2	1.24	3.15	14	11.25	0.66	5.88	5.88	2.375	0.625	2.021	4.28	33.47	9	18	3	14.2	18.07					
365T		15.2				12.25								34.47										
364TS	17.17	14.2	1.24	3.15	14	11.25	0.66	5.88	3.75	1.875	0.5	1.591	2.03	31.34	9	18	3	14.2	18.07					
365TS		15.2				12.25								32.34										
404T	19.06	17.44	1.33	3.15	16	12.25	0.81	6.62	7.25	2.875	0.75	2.45	5.65	37.76	10	20	3	15.3	19.96					
405T						13.75								4.25						2.125	0.5	1.845	2.78	34.77
405TS						13.75																		4.25
444T	21.93	20.08	1.315	3.94	18	14.5	0.81	7.5	8.5	3.375	0.875	2.88	6.91	44.05	11	22	3	18	22.01					
445T						16.5								44.05										
444TS	21.93	20.08	1.315	3.94	18	14.5	0.81	7.5	4.75	2.375	0.625	2.021	3.03	40.3										
445TS						16.5								40.3										
447T	21.93	28.6	1.315	3.94	18	20	0.81	7.5	8.5	3.375	0.875	2.88	6.91	52.55	11	22	3	18	22.01					
449T						25								52.55										
447TS						20								52.55										
449TS	25	48.8																						

# F -TXC Serie Fire Pump Motor Main Performance Parameters(NEMA 50HZ)

NO.	Model	Output (HP)	Hz	Current (A) 380V	Current (A) 415V	Locked current A (standard) 380V	Locked current A(standard) 415V	Locked torque multiple (standard) %	Maximum torque multiple (standard) %	Minimum torque multiple (standard) %	Service factor	INS class	RPM	EFF %	Power factor
1	F-TXC 143T1U2B	1	50	2.49	2.28	20	18.3	175	250	120	1.15	F	2875	72.1	0.63
2	F-TXC 143T1.5U2B	1.5	50	2.78	2.53	27	24.7	175	250	120	1.15	F	2875	75	0.82
3	F-TXC 145T2U2B	2	50	3.67	3.34	34	31.1	170	240	120	1.15	F	2875	77.2	0.8
4	F-TXC 182T3U2B	3	50	5.25	4.77	43	39.4	160	230	110	1.15	F	2925	79.7	0.81
5	F-TXC 184T5U2B	5	50	8.8	7.7	61	55.9	150	215	105	1.15	F	2925	81.5	0.79
6	F-TXC 213T7.5U2B	7.5	50	12.3	11.2	84	76.9	140	200	100	1.15	F	2930	84.7	0.82
7	F-TXC 215T10U2B	10	50	16.2	14.7	107	98.0	135	200	100	1.15	F	2930	86	0.81
8	F-TXC 254T15U2B	15	50	22.1	20.2	154	141.0	130	200	100	1.15	F	2930	87.6	0.88
9	F-TXC 256T20U2B	20	50	29.0	26.6	194	177.6	130	200	100	1.15	F	2930	88.7	0.88
10	F-TXC 284TS25U2B	25	50	36.1	33.0	243	222.5	130	200	100	1.15	F	2935	89.3	0.88
11	F-TXC 286TS30U2B	30	50	43.0	39.4	289	264.6	130	200	100	1.15	F	2935	89.9	0.88
12	F-TXC 324TS40U2B	40	50	56.8	52.0	387	354.4	125	200	100	1.15	F	2940	90.7	0.88
13	F-TXC 326TS50U2B	50	50	70.6	64.7	482	441.3	120	200	100	1.15	F	2940	91.2	0.88
14	F-TXC364TS60U2B	60	50	84.3	77.2	578	529.3	120	200	100	1.15	F	2945	91.7	0.88
15	F-TXC365TS75U2B	75	50	104.9	96.0	722	661.1	105	200	95	1.15	F	2945	92.1	0.88
16	F-TXC405TS100U2B	100	50	137.4	125.8	965	883.6	105	200	95	1.15	F	2945	92.7	0.89
17	F-TXC444TS125U2B	125	50	169.3	155.0	1207	1105.2	100	200	90	1.15	F	2950	93	0.9
18	F-TXC445TS150U2B	150	50	202.5	185.4	1441	1319.5	100	200	90	1.15	F	2960	93.3	0.9
19	F-TXC447TS200U2B	200	50	266.4	244.0	1927	1764.5	100	200	90	1.15	F	2960	93.5	0.91
20	F-TXC449TS250U2B	250	50	331.3	303.3	2534	2320.3	70	175	65	1.15	F	2960	93.8	0.91
21	F-TXC449TS300U2B	300	50	389.0	356.2	3026	2770.8	70	175	65	1.15	F	2980	94	0.93
22	F-TXC586/7TS350U2B	350	50	458.8	417.5	3542	3243.3	70	175	65	1.15	F	2980	94	0.92
23	F-TXC586/7TS400U2B	400	50	524.4	477.2	4046	3704.8	70	175	65	1.15	F	2980	94	0.92
24	F-TXC586/7TS450U2B	450	50	590.0	536.9	4539	4156.2	70	175	65	1.15	F	2980	94	0.92
25	F-TXC 143T1U4B	1	50	2.31	2.1	20	18.3	275	300	190	1.15	F	1445	72.1	0.68
26	F-TXC 145T1.5U4B	1.5	50	3.1	2.78	27	24.7	250	280	175	1.15	F	1445	75	0.73
27	F-TXC 145T2U4B	2	50	4.2	3.8	34	31.1	235	270	165	1.15	F	1440	77.2	0.7
28	F-TXC 182T3U4B	3	50	5.5	5.1	43	39.4	215	250	150	1.15	F	1460	79.7	0.78
29	F-TXC 184T5U4B	5	50	8.8	8.0	61	55.9	185	225	130	1.15	F	1455	81.5	0.79
30	F-TXC 213T7.5U4B	7.5	50	13.1	11.9	84	76.9	175	215	120	1.15	F	1460	84.7	0.77
31	F-TXC 215T10U4B	10	50	17.2	15.7	107	98.0	165	200	115	1.15	F	1460	86	0.77
32	F-TXC 254T15U4B	15	50	22.6	20.7	154	141.0	160	200	110	1.15	F	1465	87.6	0.86
33	F-TXC 256T20U4B	20	50	29.7	27.2	194	177.6	150	200	105	1.15	F	1465	88.7	0.86
34	F-TXC 284T25U4B	25	50	36.1	33.0	243	222.5	150	200	105	1.15	F	1475	89.3	0.88
35	F-TXC 286T30U4B	30	50	43.0	39.4	289	264.6	150	200	105	1.15	F	1475	89.9	0.88
36	F-TXC 324T40U4B	40	50	56.2	51.4	387	354.4	140	200	100	1.15	F	1475	90.7	0.89
37	F-TXC 326T50U4B	50	50	69.8	63.9	482	441.3	140	200	100	1.15	F	1475	91.2	0.89



# F -TXC Serie Fire Pump Motor Main Performance Parameters(NEMA 50HZ)

NO.	Model	Output (HP)	Hz	Current (A) 380V	Current (A) 415V	Locked current A (standard) 380V	Locked current A(standard) 415V	Locked torque multiple (standard) %	Maximum torque multiple (standard) %	Minimum torque multiple (standard) %	Service factor	INS class	RPM	EFF %	Power factor
38	F-TXC364T60U4B	60	50	82.4	75.5	578	529.3	140	200	100	1.15	F	1480	91.7	0.9
39	F-TXC365T75U4B	75	50	102.6	93.9	722	661.1	140	200	100	1.15	F	1480	92.1	0.9
40	F-TXC405T100U4B	100	50	135.9	124.4	965	883.6	125	200	100	1.15	F	1480	92.7	0.9
41	F-TXC444T125U4B	125	50	169.3	155.0	1207	1105.2	110	200	100	1.15	F	1480	93	0.9
42	F-TXC445T150U4B	150	50	202.5	185.4	1441	1319.5	110	200	100	1.15	F	1480	93.3	0.9
43	F-TXC447T200U4B	200	50	266.4	244.0	1927	1764.5	100	200	90	1.15	F	1480	93.5	0.91
44	F-TXC449T250U4B	250	50	332.0	304.0	2534	2320.3	80	175	75	1.15	F	1480	93.8	0.91
45	F-TXC449T300U4B	300	50	391.9	356.7	3026	2770.8	80	175	75	1.15	F	1480	94	0.92
46	F-TXC586/7T350U4B	350	50	457.2	416.1	3542	3243.3	80	175	75	1.15	F	1480	94	0.92
47	F-TXC586/7T400U4B	400	50	522.5	475.5	4046	3704.8	80	175	75	1.15	F	1480	94	0.92
48	F-TXC586/7T450U4B	450	50	587.8	534.9	4539	4156.2	80	175	75	1.15	F	1480	94	0.92
49	F-TXC 145T1U6B	1	50	2.5	2.3	20	18.3	170	265	120	1.15	F	958	70	0.65
50	F-TXC 182T1.5U6B	1.5	50	3.1	2.8	27	24.7	165	250	115	1.15	F	958	72.9	0.75
51	F-TXC 184T2U6B	2	50	4.2	3.8	34	31.1	160	240	110	1.15	F	958	75.2	0.72
52	F-TXC 213T3U6B	3	50	5.8	5.4	43	39.4	155	230	110	1.15	F	975	77.7	0.75
53	F-TXC 215T5U6B	5	50	9.8	8.9	61	55.9	150	215	105	1.15	F	970	79.7	0.73
54	F-TXC 254T7.5U6B	7.5	50	14.7	13.3	84	76.9	150	200	105	1.15	F	975	83.1	0.7
55	F-TXC 256T10U6B	10	50	19.1	17.4	107	98.0	150	200	105	1.15	F	975	84.7	0.7
56	F-TXC 284T15U6B	15	50	26.7	24.3	154	141.0	140	200	100	1.15	F	980	86.4	0.74
57	F-TXC 286T20U6B	20	50	32.6	29.9	194	177.6	135	200	100	1.15	F	980	87.7	0.79
58	F-TXC 324T25U6B	25	50	44.4	40.4	243	222.5	135	200	100	1.15	F	985	88.6	0.72
59	F-TXC 326T30U6B	30	50	52.8	48.0	289	264.6	135	200	100	1.15	F	985	89.2	0.72
60	F-TXC364T40U6B	40	50	66.0	60.1	387	354.4	135	200	100	1.15	F	985	90.2	0.76
61	F-TXC365T50U6B	50	50	82.3	74.9	482	441.3	135	200	100	1.15	F	985	90.8	0.76
62	F-TXC404T60U6B	60	50	97.4	88.6	578	529.3	135	200	100	1.15	F	985	91.4	0.76
63	F-TXC405T75U6B	75	50	122.0	111.0	722	661.1	135	200	100	1.15	F	985	91.9	0.76
64	F-TXC444T100U6B	100	50	161.5	146.9	965	883.6	125	200	100	1.15	F	985	92.6	0.76
65	F-TXC445T125U6B	125	50	201.9	183.7	1207	1105.2	125	200	100	1.15	F	980	92.9	0.76
66	F-TXC447T150U6B	150	50	236.6	215.4	1441	1319.5	120	200	100	1.15	F	980	93.3	0.77
67	F-TXC449T200U6B	200	50	314.5	298.3	1927	1764.5	120	200	100	1.15	F	980	93.5	0.77
68	F-TXC586/7T250U6B	250	50	367.6	334.5	2534	2320.3	100	175	90	1.15	F	980	93.8	0.82
69	F-TXC586/7T300U6B	300	50	441.1	401.4	3026	2770.8	100	175	90	1.15	F	980	94	0.82
70	F-TXC586/7T350U6B	350	50	514.7	468.4	3542	3243.3	100	175	90	1.15	F	980	94	0.82
71	F-TXC586/7T400U6B	400	50	588.3	535.4	4046	3704.8	100	175	90	1.15	F	980	94	0.82



# F-TXC Serie Fire Pump Motor Main Performance Parameters(NEMA 60HZ)

NO.	Model	Output (HP)	Hz	Current (A) 230V	Current (A) 460V	Current (A) 380V	Current (A) 400V	Current (A) 575V	Locked current A(standard) 230V	Locked current A(standard) 460V	Locked torque multiple (standard) %	Maximum torque multiple (standard) %	Minimum torque multiple (standard) %	Service factor	INS class	RPM	EFF %	Power factor
1	F-TXC 143T1U2B	1	60	3.6	1.8	2.2	2.1	1.4	30	15	175	250	120	1.15	F	3450	74	0.7
2	F-TXC 143T1.5U2B	1.5	60	4.0	2.0	2.4	2.3	1.6	40	20	175	250	120	1.15	F	3450	78.5	0.89
3	F-TXC 145T2U2B	2	60	5.4	2.7	3.3	3.1	2.2	50	25	170	240	120	1.15	F	3450	81	0.86
4	F-TXC 182T3U2B	3	60	7.6	3.8	4.6	4.4	3.0	64	32	160	230	110	1.15	F	3510	81.5	0.91
5	F-TXC 184T5U2B	5	60	12.2	6.1	7.4	7.0	4.9	92	46	150	215	105	1.15	F	3510	84.5	0.91
6	F-TXC 213T7.5U2B	7.5	60	17.8	8.9	10.8	10.2	7.1	127	63.5	140	200	100	1.15	F	3520	88.5	0.89
7	F-TXC 215T10U2B	10	60	23.2	11.6	14.0	13.3	9.3	162	81	135	200	100	1.15	F	3520	87.5	0.9
8	F-TXC 254T15U2B	15	60	35.2	17.6	21.3	20.2	14.1	232	116	130	200	100	1.15	F	3540	87.5	0.9
9	F-TXC 256T20U2B	20	60	46.4	23.2	28.1	26.7	18.6	290	145	130	200	100	1.15	F	3530	88.5	0.9
10	F-TXC 284TS25U2B	25	60	57.8	28.9	35.0	33.2	23.1	365	182.5	130	200	100	1.15	F	3550	89.5	0.9
11	F-TXC 286TS30U2B	30	60	69.0	34.5	41.8	39.7	27.6	435	217.5	130	200	100	1.15	F	3550	89.5	0.9
12	F-TXC 324TS40U2B	40	60	93.0	46.5	56.3	53.5	37.2	580	290	125	200	100	1.15	F	3560	90.2	0.9
13	F-TXC 326TS50U2B	50	60	117.0	58.5	70.8	67.3	46.8	725	362.5	120	200	100	1.15	F	3560	91.5	0.88
14	F-TXC364TS60U2B	60	60	135.0	67.5	81.7	77.6	54.0	870	435	120	200	100	1.15	F	3560	91.7	0.91
15	F-TXC365TS75U2B	75	60	168.6	84.3	102.0	96.9	67.4	1085	542.5	105	200	95	1.15	F	3560	92.4	0.9
16	F-TXC405TS100U2B	100	60	200.0	100.0	121.1	115.0	80.0	1450	725	105	200	95	1.15	F	3570	93	0.92
17	F-TXC444TS125U2B	125	60		137.0	165.8	157.6	109.6	1815	907.5	100	200	90	1.15	F	3575	93	0.92
18	F-TXC445TS150U2B	150	60		164.0	198.5	188.6	131.2	2170	1085	100	200	90	1.15	F	3575	93	0.93
19	F-TXC447TS200U2B	200	60		215.0	260.3	247.3	172.0	2900	1450	100	200	90	1.15	F	3575	94.1	0.93
20	F-TXC449TS250U2B	250	60		268.5	325.0	308.8	214.8	3650	1825	70	175	65	1.15	F	3575	94.1	0.93
21	F-TXC449TS300U2B	300	60		316.9	383.6	364.4	253.5	4400	2200	70	175	65	1.15	F	3575	94.1	0.93
22	F-TXC586/7TS350U2B	350	60		369.8	447.7	425.3	295.8	5100	2550	70	175	65	1.15	F	3575	94.1	0.93
23	F-TXC586/7TS400U2B	400	60		422.6	511.6	486.0	338.1	5800	2900	70	175	65	1.15	F	3575	94.1	0.93
24	F-TXC586/7TS450U2B	450	60		475.4	575.5	546.7	380.3	6500	3250	70	175	65	1.15	F	3575	94.1	0.93
25	F-TXC 143T1U4B	1	60	3.0	1.5	1.8	1.7	1.2	30	15	275	300	190	1.15	F	1735	77	0.81
26	F-TXC 145T1.5U4B	1.5	60	4.4	2.2	2.7	2.5	1.8	40	20	250	280	175	1.15	F	1735	79	0.81
27	F-TXC 145T2U4B	2	60	6.0	3.0	3.6	3.5	2.4	50	25	235	270	165	1.15	F	1730	81.5	0.77
28	F-TXC 182T3U4B	3	60	8.0	4.0	4.8	4.6	3.2	64	32	215	250	150	1.15	F	1755	83	0.85
29	F-TXC 184T5U4B	5	60	12.8	6.4	7.7	7.4	5.1	92	46	185	225	130	1.15	F	1745	85	0.86
30	F-TXC 213T7.5U4B	7.5	60	18.8	9.4	11.4	10.8	7.5	127	63.5	175	215	120	1.15	F	1750	87	0.86
31	F-TXC 215T10U4B	10	60	24.8	12.4	15.0	14.3	9.9	162	81	165	200	115	1.15	F	1750	87.5	0.86
32	F-TXC 254T15U4B	15	60	37.2	18.6	22.5	21.4	14.9	232	116	160	200	110	1.15	F	1760	88.5	0.86
33	F-TXC 256T20U4B	20	60	47.0	23.5	28.4	27.0	18.8	290	145	150	200	105	1.15	F	1760	89.5	0.89
34	F-TXC 284T25U4B	25	60	59.2	29.6	35.8	34.0	23.7	365	182.5	150	200	105	1.15	F	1770	90.5	0.88
35	F-TXC 286T30U4B	30	60	71.0	35.5	43.0	40.8	28.4	435	217.5	150	200	105	1.15	F	1770	91	0.87
36	F-TXC 324T40U4B	40	60	94.2	47.1	57.0	54.2	37.7	580	290	140	200	100	1.15	F	1770	91.7	0.87
37	F-TXC 326T50U4B	50	60	118.4	59.2	71.7	68.1	47.4	725	362.5	140	200	100	1.15	F	1770	92.4	0.86

# F -TXC Serie Fire Pump Motor Main Performance Parameters(NEMA 60HZ)

NO.	Model	Output (HP)	Hz	Current (A) 230V	Current (A) 460V	Current (A) 380V	Current (A) 400V	Current (A) 575V	Locked current A(standard) 230V	Locked current A(standard) 460V	Locked torque multiple (standard) %	Maximum torque multiple (standard) %	Minimum torque multiple (standard) %	Service factor	INS class	RPM	EFF %	Power factor
38	F-TXC364T60U4B	60	60	138.8	69.4	84.0	79.8	55.5	870	435	140	200	100	1.15	F	1775	93	0.87
39	F-TXC365T75U4B	75	60	172.4	86.2	104.3	99.1	69.0	1085	542.5	140	200	100	1.15	F	1775	93	0.88
40	F-TXC405T100U4B	100	60	228.0	114.0	138.0	131.1	91.2	1450	725	125	200	100	1.15	F	1780	93.2	0.88
41	F-TXC444T125U4B	125	60		157.1	190.2	180.7	125.7	1815	907.5	110	200	100	1.15	F	1780	93.2	0.8
42	F-TXC445T150U4B	150	60		183.8	222.5	211.4	147.0	2170	1085	110	200	100	1.15	F	1780	93.5	0.82
43	F-TXC447T200U4B	200	60		251.7	304.7	289.5	201.4	2900	1450	100	200	90	1.15	F	1780	94.5	0.8
44	F-TXC449T250U4B	250	60		314.3	380.5	361.4	251.4	3650	1825	80	175	75	1.15	F	1780	94.5	0.8
45	F-TXC449T300U4B	300	60		315.6	382.0	362.9	252.5	4400	2200	80	175	75	1.15	F	1780	94.5	0.92
46	F-TXC586/7T350U4B	350	60		368.3	445.8	423.5	294.6	5100	2550	80	175	75	1.15	F	1780	94.5	0.92
47	F-TXC586/7T400U4B	400	60		420.8	509.4	483.9	336.6	5800	2900	80	175	75	1.15	F	1780	94.5	0.92
48	F-TXC586/7T450U4B	450	60		473.5	573.2	544.5	378.8	6500	3250	80	175	75	1.15	F	1780	94.5	0.91
49	F-TXC 145T1U6B	1	60	3.6	1.8	2.2	2.1	1.4	30	15	170	265	120	1.15	F	1150	72	0.72
50	F-TXC 182T1.5U6B	1.5	60	4.4	2.2	2.7	2.5	1.8	40	20	165	250	115	1.15	F	1150	75	0.86
51	F-TXC 184T2U6B	2	60	6.0	3.0	3.6	3.5	2.4	50	25	160	240	110	1.15	F	1150	77	0.82
52	F-TXC 213T3U6B	3	60	8.4	4.2	5.1	4.8	3.4	64	32	155	230	110	1.15	F	1170	78.5	0.85
53	F-TXC 215T5U6B	5	60	14.2	7.1	8.6	8.2	5.7	92	46	150	215	105	1.15	F	1165	83.5	0.79
54	F-TXC 254T7.5U6B	7.5	60	21.2	10.6	12.8	12.2	8.5	127	63.5	150	200	105	1.15	F	1170	85	0.78
55	F-TXC 256T10U6B	10	60	27.4	13.7	16.6	15.8	11.0	162	81	150	200	105	1.15	F	1170	86	0.8
56	F-TXC 284T15U6B	15	60	38.6	19.3	23.4	22.2	15.4	232	116	140	200	100	1.15	F	1175	89	0.82
57	F-TXC 286T20U6B	20	60	51.6	25.8	31.2	29.7	20.6	290	145	135	200	100	1.15	F	1175	89.5	0.81
58	F-TXC 324T25U6B	25	60	63.8	31.9	38.6	36.7	25.5	365	182.5	135	200	100	1.15	F	1180	90.2	0.81
59	F-TXC 326T30U6B	30	60	76.0	38.0	46.0	43.7	30.4	435	217.5	135	200	100	1.15	F	1180	91	0.81
60	F-TXC364T40U6B	40	60	94.8	47.4	57.4	54.5	37.9	580	290	135	200	100	1.15	F	1180	91.7	0.86
61	F-TXC365T50U6B	50	60	118.4	59.2	71.7	68.1	47.4	725	362.5	135	200	100	1.15	F	1180	91.7	0.86
62	F-TXC404T60U6B	60	60	140.0	70.0	84.7	80.5	56.0	870	435	135	200	100	1.15	F	1185	91.7	0.86
63	F-TXC405T75U6B	75	60	175.4	87.7	106.2	100.9	70.2	1085	542.5	135	200	100	1.15	F	1185	92.1	0.86
64	F-TXC444T100U6B	100	60	232.0	116.0	140.4	133.4	92.8	1450	725	125	200	100	1.15	F	1185	93	0.87
65	F-TXC445T125U6B	125	60		145.0	175.5	166.8	116.0	1815	907.5	125	200	100	1.15	F	1180	93	0.87
66	F-TXC447T150U6B	150	60		170.0	205.8	195.5	136.0	2170	1085	120	200	100	1.15	F	1180	94.1	0.88
67	F-TXC449T200U6B	200	60		226.0	273.6	259.9	180.8	2900	1450	120	200	100	1.15	F	1180	94.1	0.88
68	F-TXC586/7T250U6B	250	60		264.1	319.7	303.7	211.3	3650	1825	100	175	90	1.15	F	1180	94.1	0.9
69	F-TXC586/7T300U6B	300	60		316.9	383.6	364.4	253.5	4400	2200	100	175	90	1.15	F	1180	94.1	0.9
70	F-TXC586/7T350U6B	350	60		369.8	447.7	425.3	295.8	5100	2550	100	175	90	1.15	F	1180	94.1	0.9
71	F-TXC586/7T400U6B	400	60		422.6	511.6	486.0	338.1	5800	2900	100	175	90	1.15	F	1180	94.1	0.9